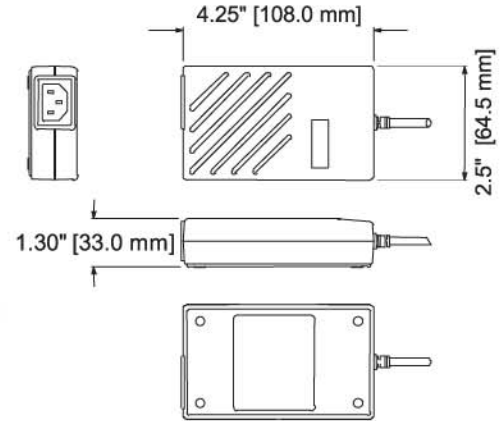


# MW 24 Series

## 24 Watt Medical Grade Power Supply

- Wide Range AC Input
- Fully Regulated DC Output
- High Efficiency
- Output Floating
- Medical Grade Approval
- Also Available in White
- 5 Year Warranty



### SPECIFICATIONS

#### INPUT

Voltage	100 - 240 VAC		
Current	0.43 Amp @ 115 VAC		
Frequency	47 - 63 Hz		
Max. Earth	Test Voltage	Normal	Single
Leakage current	132 VAC 60 Hz	100 uA	200 uA
	264 VAC 60 Hz	200 uA	400 uA
Input connector	3-pin IEC 320 input receptacle		

#### OUTPUT

Total regulation	< +/- 5%
Set point	< +/- 3% at 60% load
Hold up time	20 ms min at full load, 115 VAC
Transient response	2 ms for 50% to 100% load change
Over voltage protection	Built-in
Over current protection	Built-in
Short circuit protection	Pulsing mode, auto recovery
Ripple/noise (Vp-p)	+/- 1% (20 MHz bandwidth)
Output connector	Barrel type (5.5 x 2.5 x 9.5 mm)

#### POLARITY



#### ENVIRONMENTAL

Operating temperature	0° C to 40° C
Storage temperature	-55° C to 85° C
Weight	0.45 lbs

#### SAFETY

cRUus  
UL 60601-1  
CSA C22.2 No. 601.1-M90  
CB per IEC 60601-1  
CE marked to LVD  
Class I

#### EMI/EMC

Emissions	CISPR11 and FCC Part 15, Class B EN61000-3-2, -3
Immunity	EN61000-4-2, -3, -4, -5, -6, -8, -11

Model No.	Volt	Power	Current	Eff@115VAC (Min)
MW2412-760-NC-BK	12V	24W	2.0A	80%
MW2415-760-NC-BK	15V	24W	1.6A	80%
MW2418-760-NC-BK	18V	24W	1.33A	80%
MW2424-760-NC-BK	24V	24W	1.0A	80%